

100 Series AFCO-Rail Adjustable Stair Rail


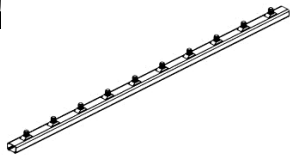
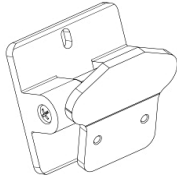
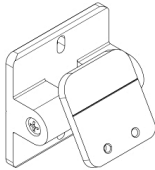
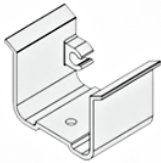
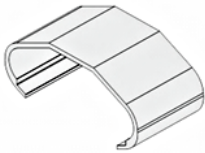

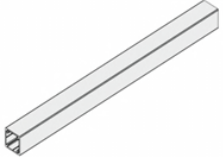


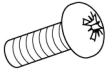
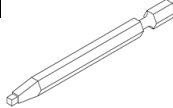
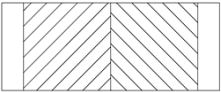


INSTALLATION INSTRUCTIONS



AFCO
Columns and Railings
a Division of AFCO Industries, Inc.

PARTS INCLUDED:

TOP RAIL WITH TOGGLES (1) A 	BOTTOM RAIL TOGGLES (1) 	TOP RAIL HINGE ASSEMBLY (2) C 	BOTTOM RAIL HINGE ASSEMBLY (2) D 
SADDLE BRACKETS (2) E 	SADDLE BRACKET COVER (2) F 	BOTTOM BRACKET (2) G 	10" SUPPORT BLOCK (1) H 
SUPPORT BLOCK CONNECTORS (2) I 	#10 x 1" SELF DRILLING SCREWS (12) J 	#10 -24 x 7/16 PHILLIPS SCREWS (8) K 	3 1/2" SQUARE DRIVER BIT L 
		ADHESIVE TAB M 	

TOOLS REQUIRED:

Drill bit 5/32" (.156")
Drill (with adjustable clutch, recommended)
Miter Saw (with metal cutting blade)
Level
Phillips Screw Driver
Rubber mallet
Tape measure
Touch-up paint

NOTES:

- Post and balusters packaged separately.

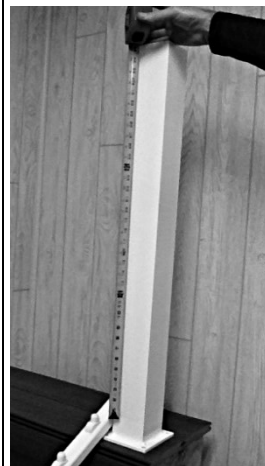
FOR A SUCCESSFUL INSTALLATION:

- Read the instructions completely before beginning the installation.
- Plan your railing project. Sketch your project with the actual measurements of your deck or balcony complete with post locations.
- Check local building codes to ensure compliance.
- Check carton(s) to determine part count is complete.
- After cutting rails, balusters, or posts, paint exposed metal for maximum protection against the elements.
- Installation is best accomplished with two people.
- Wear personal protection equipment; safety glasses, etc.
- Use care not to over-torque the screws. Pre-drilling is recommended.
- **Provided hardware to install AFCO-Rail is for use with Aluminum AFCO-Rail posts. If installing to other surfaces the installer must acquire the appropriate hardware as needed for proper installation.**

100 SERIES AFCO-RAIL FIXED STAIR RAIL

POSTS INSTALLATION:

1. Determine the location and position of the upper and lower post based on the project layout. Mark the desired location of the posts.
 To ensure post location is compatible with railing prior to securing to the deck surface, place both posts in position, and lay the bottom rail along the stair from top to bottom adjacent to both post (see photo) . On the rail side of the post, measure up from the top of the rail and ensure there is a minimum of 34-1/2" for the 36" rail height and a minimum of 40-1/2" for the 42" rail height to the top of the post. Post location may have to be adjusted to ensure minimum is obtained. Repeat this step for the bottom post.



- For railing mounted 36" high use a 44" post at the bottom of the stairs.
- For railing mounted 42" high use a 54" post at the bottom of the stairs.

For a wooden deck position the post so the fasteners will go into the floor joists, and make sure the decking is firmly attached to the joists at the location of the posts. If necessary, use wood blocking as reinforcement underneath the decking where the posts are located. Fasteners which hold the brackets to the surface should be able to secure to joist or reinforcement braces, into at least 3" of solid wood.

2. When the final position is determined for the post, mark the hole locations of the four 3/8" diameter mounting holes provided on the base and remove the post assembly. Drill the marked locations into the decking and reinforcement using the proper size drill required for the fasteners being used.



3. Remount the post assembly. Insert the appropriate fasteners then secure the base to the deck structure. Make certain the posts are plumb. If the post requires adjustment, add stainless steel washers under the base plate. Do not re-install the base post trim until step 2 of the rail installation.



Note: When installing AFco- Rail Post onto treated wood surface, install the provided ACQ pad that is included in the post kit between the post base and the treated surface.

ADJUSTABLE STAIR INSTALLATION:

1. Lay the bottom rail (B) on the stair from top to bottom and adjacent to the posts previously installed. Make a reference mark with a pencil on the bracket side of the post the brackets will be mounted on (both the upper and lower posts), at the point where the top of the rail meets the post. Additional reference marks will be placed on the posts to locate the Bracket Assemblies (C&D) in step 3 using the reference table.
Note: Illustration photo shown is the upper post.



2. Install the base post trim on both the upper and lower posts.

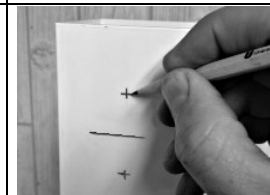


3. To mark the Top Rail Hinge Assembly (C) and the Bottom Rail Hinge Assembly (D) locations on the posts, measure from the reference marks in Step 1 and mark the bracket side of the posts per the table below. *(Note: Illustration shown is the upper post)*

	Upper Post		Lower Post	
	Bottom Rail Hinge	Top Rail Hinge	Bottom Rail Hinge	Top Rail Hinge
36" Rail	Down 1/2"	Up 32-1/2"	Up 1/2"	Up 33-1/2"
42" Rail	Down 1/2"	Up 38-1/2"	Up 1/2"	Up 39-1/2"



4. To locate the mounting hole locations of Top Rail Hinge Assembly (C) and the Bottom Rail Hinge Assembly (D) place a mark 1" above and below each of the level line marks from steps 3 (see photo) centered on the post on both the upper and lower post. This will be the location of the fasteners to attach the Hinge Assemblies to the post. *Note: Pre-drilling is recommended at these locations for the fasteners.*



5. Using the #10-1" Self Drilling Screws (J) secure the Top Rail Hinge Assembly (C) and the Bottom Rail Hinge Assembly (D) to the upper and lower posts through the marked and/or pre-drilled hole locations. (Mounting holes are elongated to allow a small amount of adjustment if necessary to properly align the hinge assembly with the rail. *Note: Two screws are required to mount each bracket to properly secure in place. Depending on the post location, it may be necessary to temporarily remove the post or disassemble the hinge for adequate access to install the fasteners.*



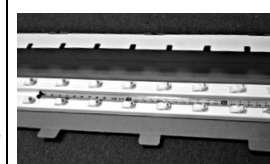
6. Attach the Saddle Brackets (E) to the Top Rail Hinge Assembly (C) using the #10-24 x 7/16" Phillips Screws (K). *Note: Two screws are required to mount each bracket to properly secure in place.*



7. Align the Bottom Rail Hinge Assemblies (D) so they are facing parallel to each other, and measure the distance between upper and lower Bottom Rail Hinge Assemblies (D) previously mounted on the posts in step 5.



8. On a flat surface, (use the box as a pad to prevent scuffing of painted surfaces), lay the Top Rail (A) and Bottom Rail (B) side by side with baluster connectors (toggles) facing upward and aligned. Transfer the measurement in step 7 to the bottom rail. Ensure the baluster connectors (toggles) are centered between the cut locations. *Note: There must be at least 2" between the cut ends and the center of the first baluster connector (toggle) for proper clearance of the mounting brackets.*

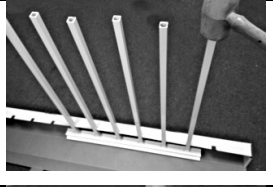



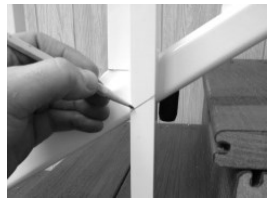

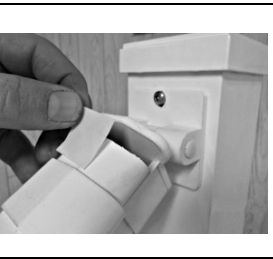


9. Now mark the Top Rail (A) 3/8" shorter on each end than the Bottom Rail (B) was marked also ensuring the baluster connectors (toggles) are centered. Cut to length the top and bottom rails along the marked lines. *Note: There must be at least 2" between the cut ends and the center of the first baluster connector (toggle) for proper clearance of the mounting brackets.*



10. Install support block connectors (I) using #10-1" Self Drilling Screw (J) to the underside of bottom rail (B). *Note: One support block, cut from support block material (H), is recommended for rails measuring 72" in length or less; use two support blocks for longer lengths. If one support block is required, install support block connector (I) at center point of bottom rail (B). If two support blocks are required, install support block connectors (I) equal distance from each end of the bottom rail (B).*



<p>11. To assemble rail, begin with Top Rail (A) and insert balusters over pre-installed baluster connectors (toggles). Use a rubber mallet to tap the balusters into place. <i>Note: It is recommended to use the box as a pad to prevent scuffing of the painted finish.</i></p>	
<p>12. Attach balusters to bottom rail (B) beginning at one end and working to the opposite end. Stand the assembly upside down on the surface of the box and tap the bottom rail with a rubber mallet to secure the balusters in place. Stand assembly upright. <i>Note: Notches are provided on the front of the box to help align balusters and aid in the assembly of the rail in this step.</i></p>	
<p>13. Slide Saddle Bracket Covers (F) over each end of the Top Rail (A) at least 3-4" inward over each end of the rail. Covers will be secured in final position later. <i>Note: A small piece of tape may be required to hold the bracket covers in place.</i></p>	
<p>14. Slide bottom brackets (G) with the counter bore holes facing down and toward the balusters, over each end of the bottom rail (B). A small piece of tape may be required to hold lower bottom brackets in place. Next, set the rail assembly into the saddle brackets (C) previously installed (step 7) letting the bottom rail hang freely between the posts.</p>	
<p>15. At the point(s) where you installed support block connectors (step 11), carefully measure the distance from the underside of the bottom rail (B) to the floor or step. Cut support block material (H) to fit. Slip the support block(s) over support block connectors (I). Slide the rail back into place and make certain the rail is plumb.</p>	
<p>16. Slide and hold the Bottom Brackets (G) against the Bottom Rail Hinge Assembly (D) attached to the upper and lower post and secure with the #10-24 x 7/16 Phillips Screws (K). <i>Note: Two screws are required to mount each bracket to properly secure in place.</i></p>	
<p>17. Apply adhesive tab (M) to flat, top surface of the Top Rail (A), near the post. Slide Bracket Covers (F) to interlock with flange on the Saddle Brackets (E).</p>	
<p>18. Screw #10-1" Self Drilling Screws (J) into the Top Rail (A) from the underside of Saddle Brackets (E) through the provided locating hole to securely fasten the rail in place.</p>	