



VINYL RAILING

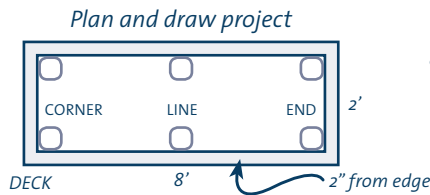
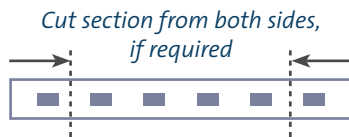
INSTALLATION INSTRUCTIONS

Page 1 of 3

REQUIRED TOOLS

- SAFETY GLASSES
- SCREWDRIVER
- HACKSAW
- SQUARE
- TAPE MEASURE
- LEVEL
- PENCIL
- POWER DRILL
- PVC GLUE OR SILICONE CAULKING

TIPS

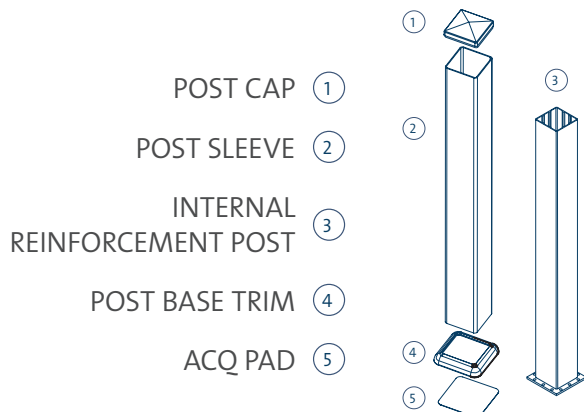


- The distance between the post is from the inside edges of the post, the edge next to the railing section.
- For installations between existing posts/columns (or for post/column positions that are shorter than the railing section length), it will be necessary to cut the railing section. Always cut an equal amount from each end of the railing section so that the pickets are centered and balanced.
- Plan and draw your railing project. Sketch your project with the actual measurements of your deck or balcony with the location of the railing and any gates that need to be installed.

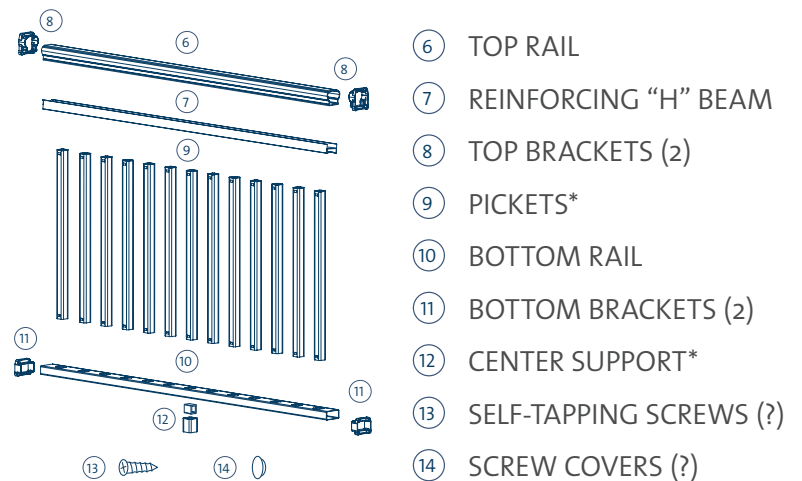
COMPONENTS

**Note: Number of pickets and center supports vary with railing section length.*

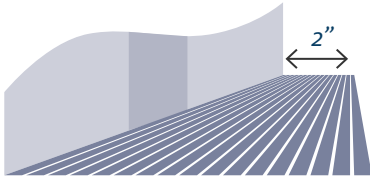
POST



RAILING SECTION

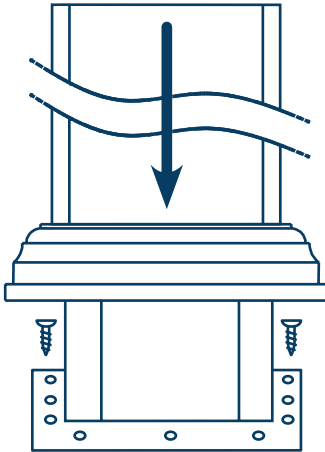


INSTALLATION



1

Draw a line with a pencil at 2" from the edge of your deck or balcony (perimeter line) to guide your installation. Start your installation from a corner or along a structure.



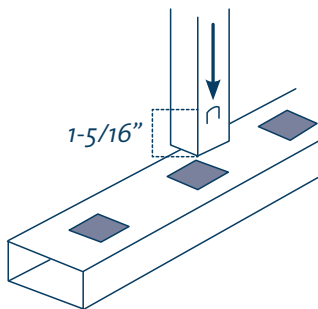
2

Install the first post by attaching the ACQ pad and internal reinforcement post to the surface of the deck or balcony. Slide the post sleeve over the internal reinforcement post and attach the post sleeve to the ACQ pad. Finish by sliding the post base trim to the bottom of the post to cover the post base.



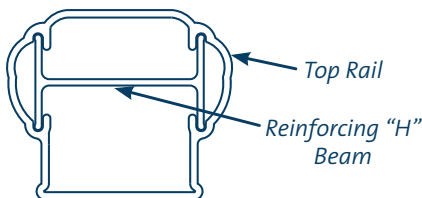
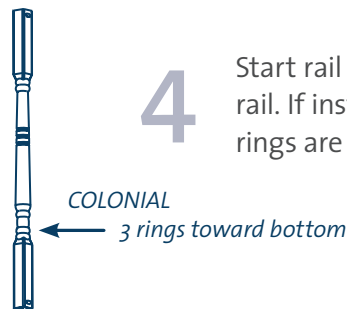
3

Depending on the rail section length, measure from the inside of the first post 72", 96" or 120" to place the start of the second post.



4

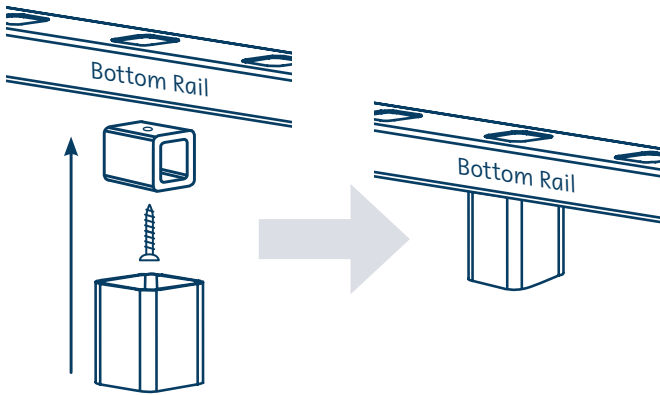
Start rail section assembly by inserting the pickets into the bottom rail. If installing the colonial style picket, make sure that the three rings are all toward the bottom.



5

Once all the pickets are in place in the bottom rail, you can install the top rail. Before installing the top rail, check to be sure the reinforcing "H" beam is already inside the top rail.

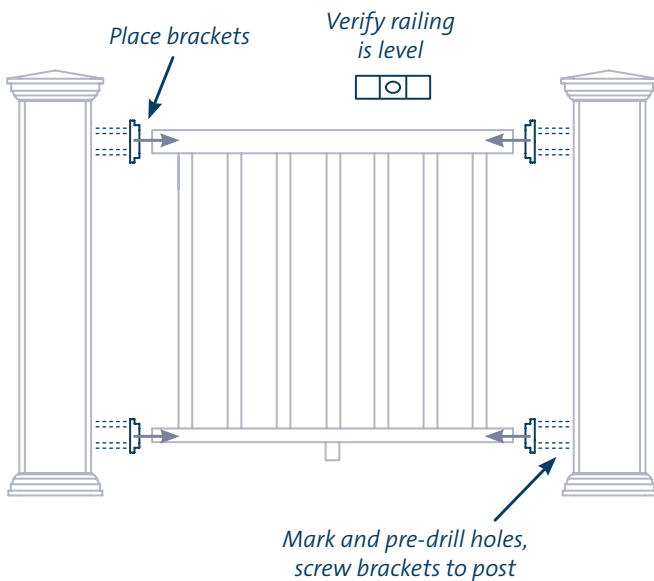
INSTALLATION



6

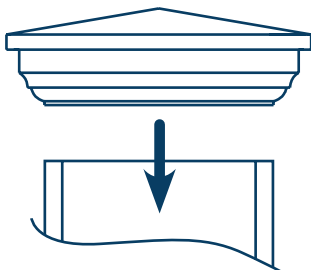
Place the center support on the underside of the bottom rail. Screw the small, square PVC extrusion to the underside of the bottom rail. Cover with the square PVC sleeve.

For the 72" section, install the center support 36" from the first post. For the 96" section, install the center support at 32" and 64" from the first post. For the 120" section, install the center support at 40" and 80" from the first post.



7

Place the top and bottom brackets over the top and bottom rail ends, then position the railing section between the posts. Verify that the rail section is level and that the brackets are centered on the post. Mark hole positions, pre-drill post and screw the top and bottom brackets to the posts. Cover the bracket screw holes with the cap covers. Install remaining sections in the same manner.



8

Finish by placing the top cap on each post. Use PVC glue or silicone caulking to attach the caps.